

NEW CONCEPT

NEW TECHNOLOGY

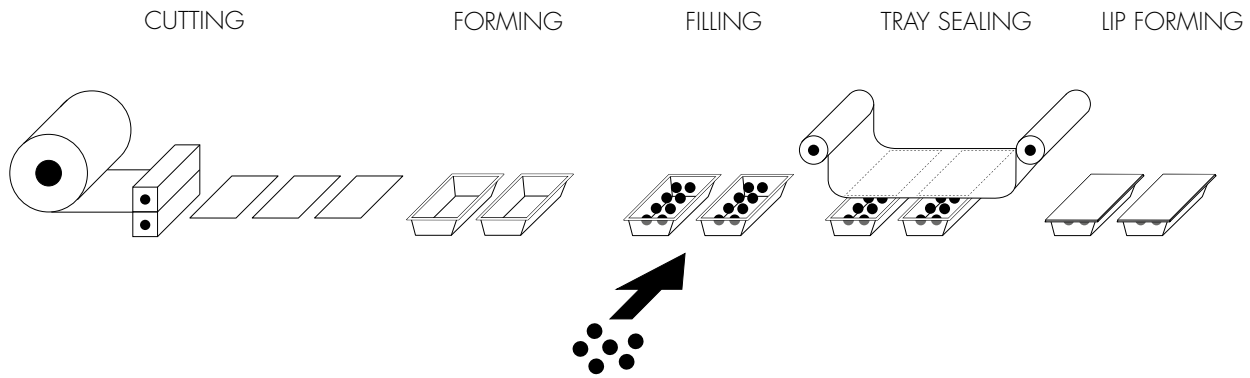
NEW ADVANTAGES

# PLATFORMER

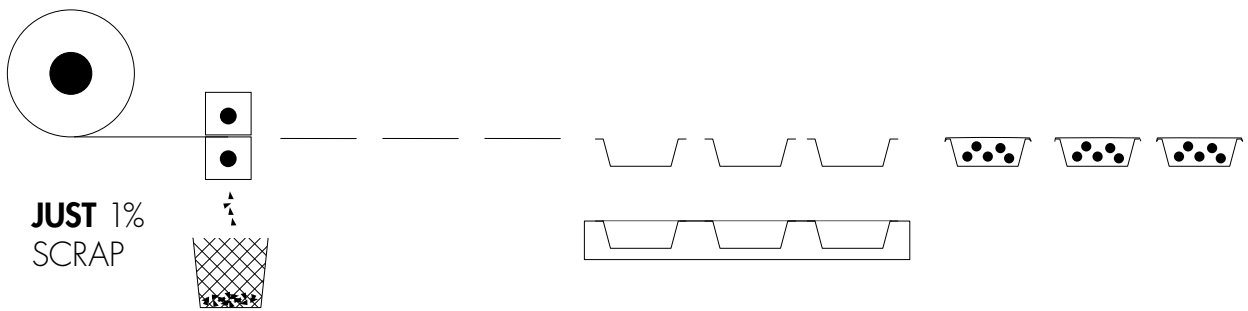


**G. MONDINI**

# HOW THE SYSTEM WORKS



## TWO COMPONENTS CHANGE OVER

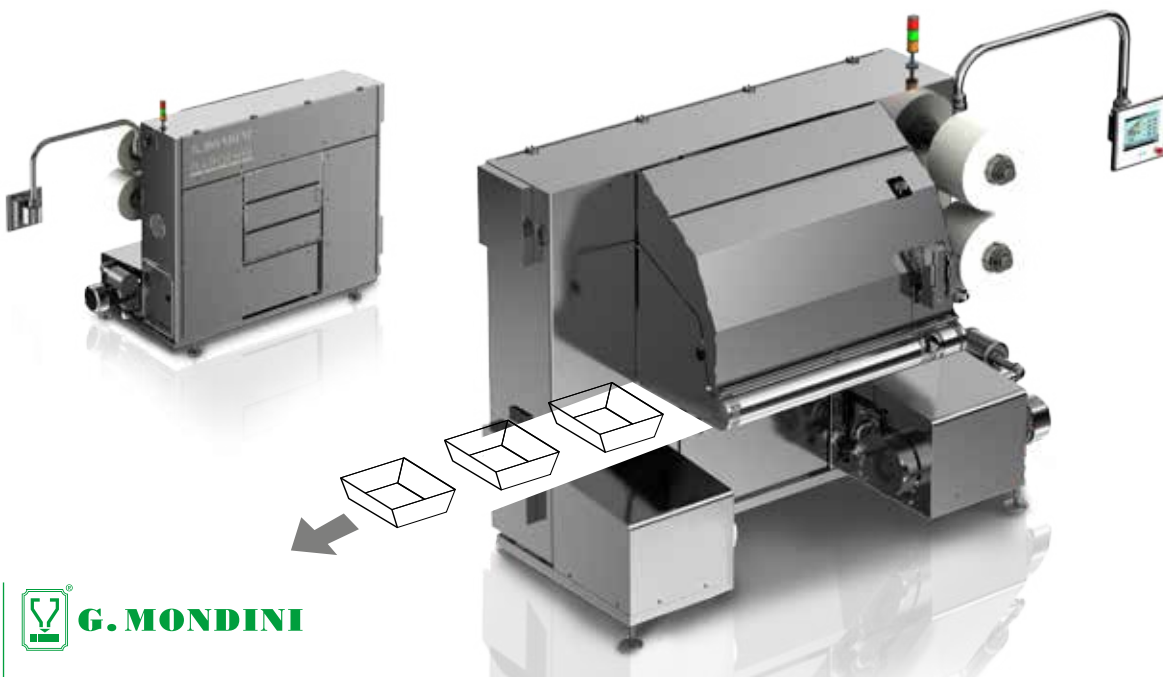


JUST 1%  
SCRAP

**1** CUTTING ROLLER

**2** FORMING TOOL

**3** SEALING PROCESS  
& LIP FORMING



# THERMOSEALER

Today's packaging line world is divided into either thermoforming or tray sealing lines, the first producing value packs, the second higher quality packs with greater flexibility.

## Platformer is the missing link.

Combining the Mondini Trave with the Mondini Platformer your packaging line becomes what could be defined as a thermoformer... **giving the best of both Worlds.**

The unique LIP forming done during the sealing process generates **platformed trays** of outstanding quality.

Free to switch from thermoformed in-line trays from a reel or premade trays at any moment in time during production, according to the needs of your business.

# REVOLUTIONARY

Forming trays on demand, in line, from a reel.

Platformer new technology revolutionizes the concept of tray forming by cutting the tray footprint before the forming process occurs, reducing the **scrap to just 1%**. An additional benefit of this innovative process is that the tray format **change over time** is less than **10 minutes** with only two components needing to be changed, at **a cost** which is **a fraction of a standard thermoformer**.

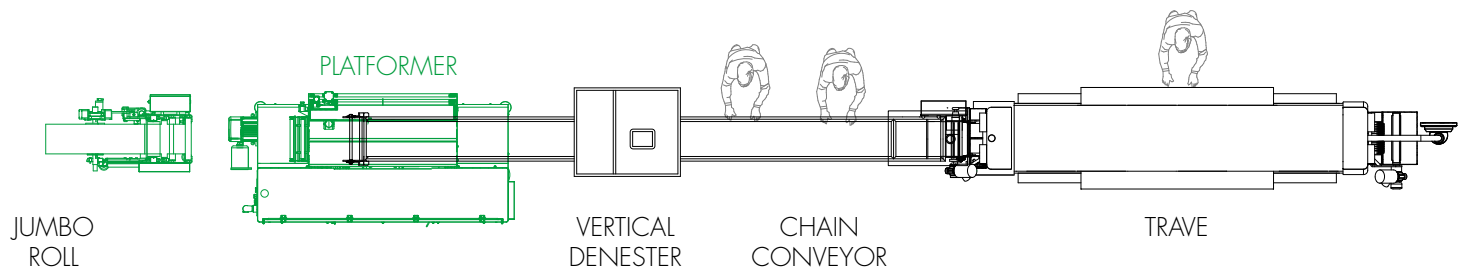
Depending on market conditions, customer demands and needs of the business, processors will have full flexibility to choose whichever solution is most beneficial to them at the time.

# TANGIBLE ADVANTAGES

- Trave and Platformer combined together deliver the ultimate packaging line driving down the cost and extending pack tiering.
- Base tray waste of just 1%.
- Simple, fast tray format change over.
- In-line, on-demand feeding.
- Quick reel change over.
- Whether using trays made in line or pre-made, the line is designed in such a way that the product can be filled either automatically or using skilled staff.



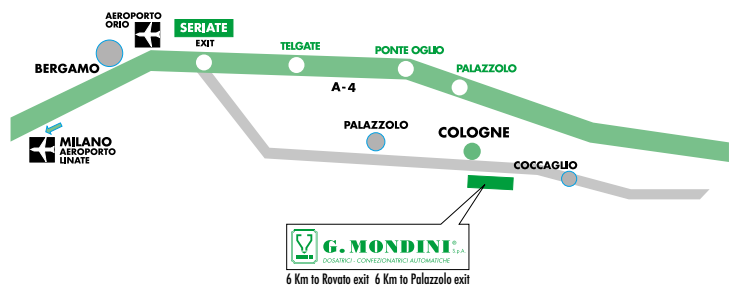
# LINE WITH PLATFORMER ? OR WITHOUT



PLATFORMED SKIN TRAY



PLATFORMED MAP TRAY



**G. MONDINI**® S.p.A.  
DOSATRICI - CONFEZIONATRICI AUTOMATICHE

Via Brescia, 5/7 - 25033 Cologne (Brescia) Italia  
T +39 030 70560 - F +39 030 7056250  
E-mail: info@gmondini.com - [www.gmondini.com](http://www.gmondini.com)