

**HARPAK**

**ULMA**

Global Packaging



**GALAXY**  
Stretch Film

# Tray wrapping machine



# Galaxy



Easily programmable with diagnostic system



Easy to Sanitize automatic Infeed



Easy Internal Access for Maintenance and Sanitation



The GALAXY has been specially designed to meet the market requirements of high speed tray over wrapping of fresh food products, with stretchable-film. It is a high-performance, easy to operate and easy to clean packaging machine. This makes it the perfect machine for central packaging facilities.

It has mechanical strength and advanced electronics, which allow for its high reliability, and flexibility. The GALAXY can economically wrap a wider range of trayed products, with enhanced appearance.

#### TECHNICAL FEATURES

- ▶ Completely automatic or manually programmable operation.
- ▶ Double motor-driven film unwind system with automatic change over.
- ▶ Variable pre-stretching and folding according to tray dimensions.
- ▶ Programmable film length to minimize film consumption.
- ▶ Automatic infeed conveyor.
- ▶ Programmable speed according to tray/product.
- ▶ End of film detection for each film roll.
- ▶ Self-diagnostics in control panel.
- ▶ Centralized lubrication.
- ▶ PVC, polyethylene, SSD and polyolefin films.
- ▶ Anticorrosive and easy-to-clean assembly.
- ▶ According to EC standards.

#### OPTIONS

- ▶ Gravity and motor-driven output belts: Inline, 90° and 180°.
- ▶ Connection to machine control for device or band synchronism.
- ▶ Packaging system with printed film (GALAXY P).
- ▶ Pressure sealer cooler tunnel. A sealing and shrinking system for packing with stretch shrink films.



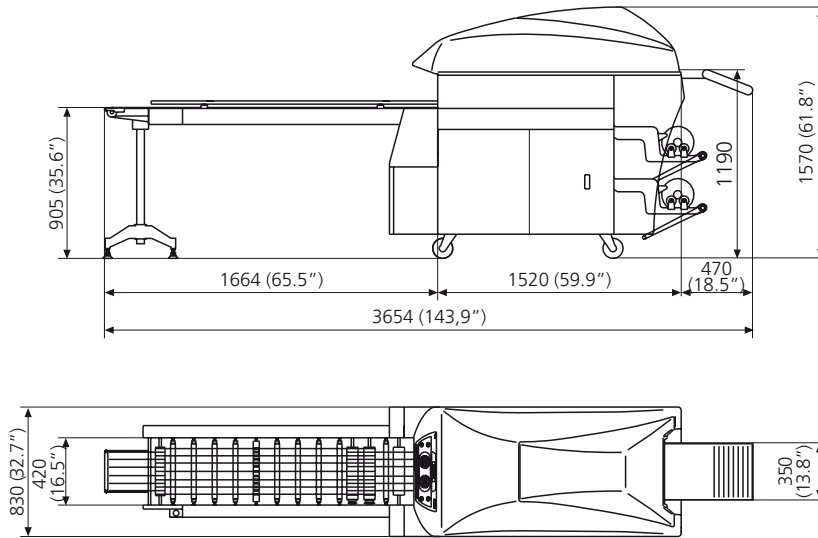
Automatic Tray Size Detection



Centralized Lubrication System



Gravity and Motorized Conveyors



## SPECIFICATIONS / MODEL

## GALAXY

|  |                   |  |
|--|-------------------|--|
| <b>SPEED</b>   |                   | up to 60 ppm   |
| <b>TRAY DIMENSIONS</b><br><small>(all maximum and minimum dimensions may not be attainable at the same time)</small> | Length            | 130 - 375 mm (5" - 15")  |
|  | Width             | 130 - 250 mm (5" - 10")  |
|  | Height            | 10 - 180 mm (1/2" - 7")  |
| <b>FILM ROLL DIMENSIONS</b>  | Maximum Diameter  | 225 mm (9")  |
|  | Thickness         | 13 - 20 Microns (50 - 80 Gauge)                                  |
|  | Core Diameter     | 75 - 113 mm (3" - 4.5")  |
|  | Film Width        | 350 - 600 mm (14" - 24")   |
| <b>ELECTRICAL SPECIFICATIONS</b>   | Voltage           | 230 / 400 V Three-phase $\pm 10\%$ + Neutral + Ground - 50/60 Hz |
|  | Power Consumption | 2,5 kW - 6 Amp. / 400 V. • 10 Amp. / 230 V.                      |
| <b>PNEUMATIC CONSUMPTION</b>   |                   | 60 l/min. / 6 bars (2" CFM / 90 PSI)                             |
| <b>WEIGHT</b>  |                   | 550 kg (1210 lb)   |
| <b>LENGTH OF INFEED CONVEYOR</b>   |                   | 1600 mm (63")  |

ULMA reserves the right to change specifications without prior notice.



### ULMA Packaging

Thanks to an experience of 50 years, we are a worldwide reference in the design and manufacturing of high-tech packaging systems and equipment.

50 years evolving, innovating, perfecting our technology and our services. An extensive network that is available to offer you solutions anywhere in the world, and to fully satisfy customers that place their trust in us.

For additional information, please visit our website:

[www.ulmapackaging.com](http://www.ulmapackaging.com)



# HARPAK ULMA

Harpak-ULMA Packaging, LLC. • 175 John Quincy Adams Road • Taunton MA 02780 • 800-813-6644

[www.harpak-ulma.com](http://www.harpak-ulma.com) • [info@harpak-ulma.com](mailto:info@harpak-ulma.com)